



EPT20-20RAS



Electric Pallet Truck 2.0t

- Ideal Option for Heavy Duty Long Distance Material Handling Tasks;
- Driving Wheel Pressure Auto-compensation Patent Design Makes Operation Comfortable & Smooth;
- Dual-Monitoring Electric Steering Offers Safer and Simpler Operations;

FEATURE

Lithium Battery Features:

- Low selfweight;
- Maintenance free;
- Completely sealed, no air pollution when charging;
- Faster charging;
- opportunity charge.

BMS Features:

- over charge protection;
- over discharge protect;
- over current protect;
- over temperature protect.

Safe:

- Lithium-ion battery has passed rigorous tests, including collision, extrusion, needling, burning, high and low temperature to ensure the safety.

Charger Features:

- Fast, compact, smart.



	EPT20-20RAS
Standard battery pack capacity /	24V 160Ah
Optional battery pack capacity	24V 120Ah/210Ah
Chemical Material	NMC
Pack weight(Kg)	55 45/70
Charger	24V100A 24V50A/100A
Pack dimension (including BMS)mm	550*190*500

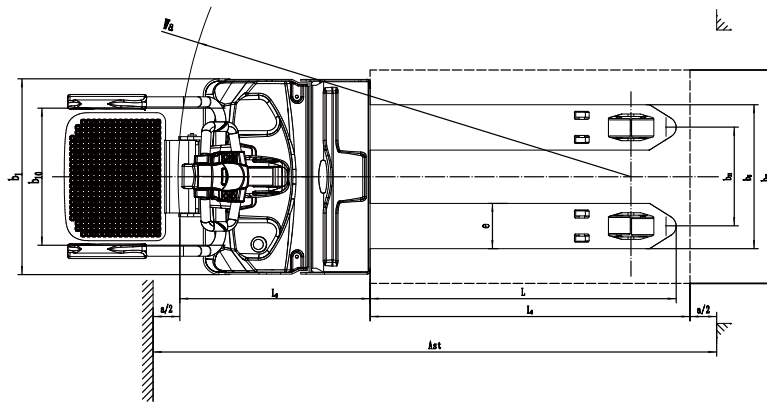
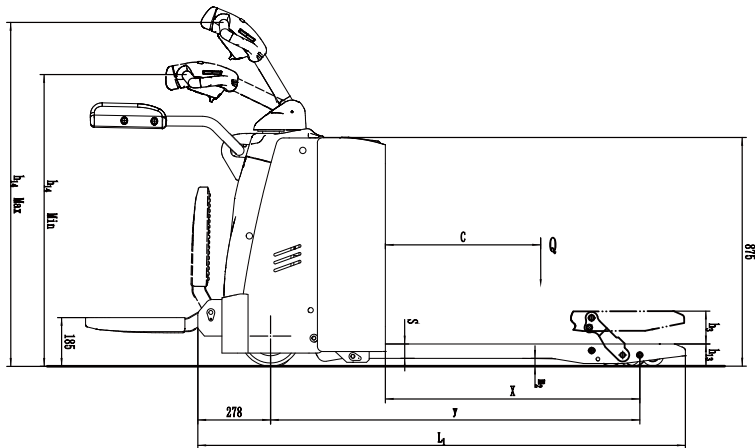
External charger only,Lithium battery with external charger will equipped with battery connector.

Electric Pallet Truck 2.0/2.5t

EPT20-20RAS/EPT20-25RAS

Distinguishing mark								
1.1	Manufacturer				EP		EP	
1.2	Model designation				EPT20-20RAS		EPT20-25RAS	
1.3	Drive unit				Electrics		Electrics	
1.4	Operator type				standing		standing	
1.5	rated capacity	Q	kg		2000		2500	
1.6	Load center distance	c	mm		600		600	
1.8	Load distance	x	mm		916 / 982	937 / 1003	916 / 982	937 / 1003
1.9	Wheelbase	y	mm		1418	1438	1418	1438
Weight								
2.1	Service weight (include battery)		kg		610		630	
2.2	Axle loading, laden driving side/loading side		kg		1006 / 1604		1116 / 2014	
2.3	Axle loading, unladen driving side/loading side		kg		506 / 104		516 / 114	
Types, Chassis								
3.1	Tyre type driving wheels/loading wheels				Polyurethane / Polyurethane		Polyurethane / Polyurethane	
3.2	Tyre size, driving wheels (diameter×width)		mm		Φ230x75		Φ230x75	
3.3	Tyre size, loading wheels (diameter×width)		mm		Φ85x70 / Φ83x115		Φ85x70 / Φ83x115	
3.4	Tyre size, caster wheels (diameter×width)		mm		Φ130x60		Φ130x60	
3.5	Wheels, number driving, caster/loading (x=drive wheels)		mm		1 x +2 / 4 / 1 x +2 / 2		1 x +2 / 4 / 1 x +2 / 2	
3.6	Track width, front, driving side	b ₁₀	mm		510		510	
3.7	Track width, rear, loading side	b ₁₁	mm		370 / 430 / 515		370 / 430 / 515	
Dimensions								
4.4	Lift height	h ₃	mm		125		125	
4.9	Height drawbar in driving position min./max.	h ₁₄	mm		1150 / 1470		1150 / 1470	
4.15	Lowered height	h ₁₃	mm		85		85	
4.19	Overall length	l ₁	mm		1860	1930	1860	1930
4.20	Length to face of forks	l ₂	mm		710		710	
4.21	Overall width	b ₇ / b ₂	mm		730		730	
4.22	Fork dimensions	s / e / l	mm		55 x 170 x 1150	55 x 170 x 1220	55 x 170 x 1150	55 x 170 x 1220
4.25	Distance between fork-arms	b ₅	mm		540 / 600 / 685		540 / 600 / 685	
4.32	Ground clearance, center of wheelbase	m ₂	mm		30		30	
4.34.1	Aisle width for pallets 1000 × 1200 crossways	Ast	mm		1984		1984	
4.34.2	Aisle width for pallets 800 × 1200 lengthways	Ast	mm		2184		2184	
4.35	Turning radius	Wa	mm		1700		1700	
Performance data								
5.1	Travel speed, laden/ unladen	km/h	km/h		5.5 / 6		5.5 / 6	
5.2	Lifting speed, laden/ unladen		m/s		0.023 / 0.031		0.023 / 0.031	
5.3	Lowering speed, laden/ unladen		m/s		0.043 / 0.032		0.043 / 0.032	
5.8	Max. gradeability, laden/unladen				8 / 16		6 / 16	
5.10	Service brake type				Electromagnetic		Electromagnetic	
Electric-engine								
6.1	Drive motor rating S2 60 min		kW		1.5		1.5	
6.2	Lift motor rating at S3 15%		kW		1		1	
Addition data								
8.1	Type of drive control				AC		AC	
10.5	Steering type				Electronic		Electronic	
10.7	Sound pressure level at the driver's ear				74		74	

- 1.The parameters in the table are of the standard model. For more information, please contact us.
- 2.The parameters are subject to change without notice.



Option

Options	EPT20-20RAS	EPT20-25RAS
Fork length	○ 850/1000/1300/1450/1600 /1800/2000/2400mm	○ 850/1000/1300/1450/1600 /1800/2000/2400mm
Fork width	○790/840mm	○460/790/840mm
Double load wheel	●	●
Single load wheel	●	●
Fork lowered height	—	—
Driving wheel	●PU ○Rubber	●PU ○Rubber
Balance wheel	●	●
cold storage	○	○
Water auto-filling system	○	○
Vertical handler working	○	○
half speed function in turning	—	—
Guard arm	●	●
Special backrest	○1220mm (48in)/1520mm (60in)	○1220mm (48in)/1520mm (60in)

Note: ●standard ○ option —NA