



# JX0



## Medium Level Order Selector

- Compact and flexible.
- Durable driving system and Small turning radius.
- Solid mast structure and stable chassis design.
- Safety switches and Slop alarm.
- Safety gate locked automatically once lifting.
- High efficiency hydraulic system and comfortable drive.

EP EQUIPMENT CO.,LTD  
[www.ep-ep.com](http://www.ep-ep.com)



## FEATURE

### Lithium Battery Features:

- Low selfweight;
- Maintenance free;
- Completely sealed, no air pollution when charging;
- Faster charging;
- opportunity charge.

### BMS Features:

- over charge protection;
- over discharge protect;
- over current protect;
- over temperature protect.

### Safe:

- Lithium-ion battery has passed rigorous tests, including collision, extrusion, needling, burning, high and low temperature to ensure the safety.

### Charger Features:

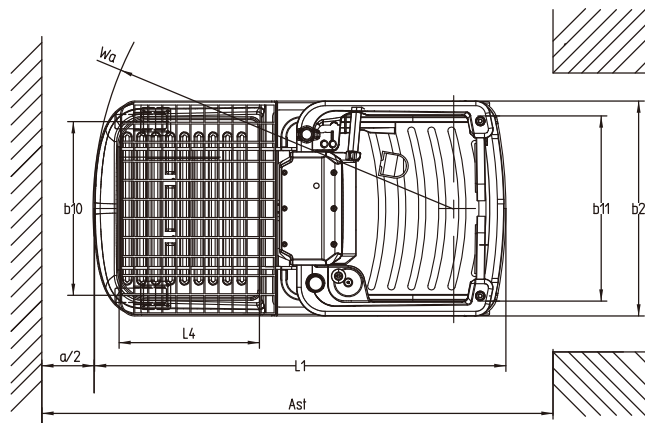
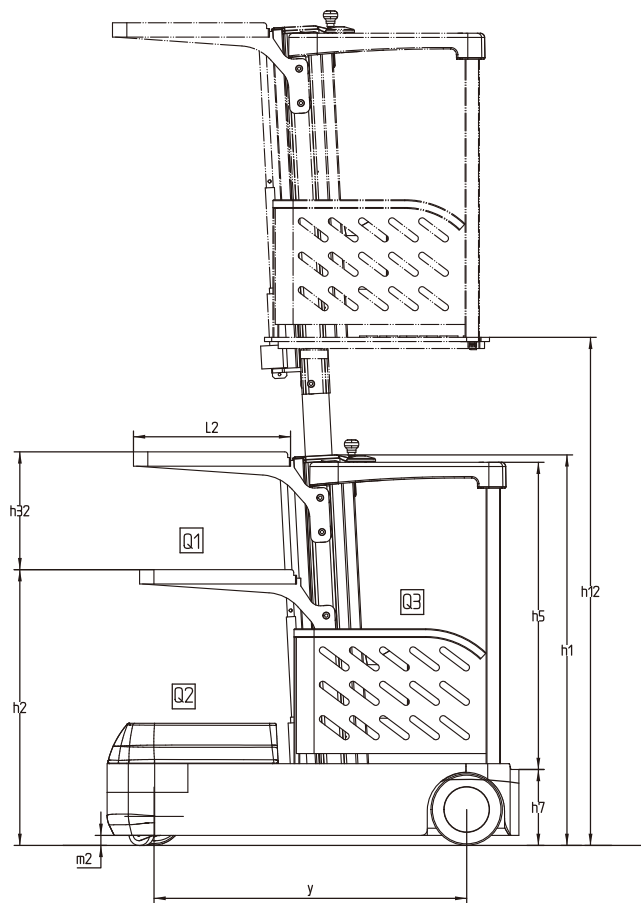
- Fast, compact, smart.



# Medium Level Order Selector JX0

Distinguishing mark				
1.1	Manufacturer			EP
1.2	Model designation			JX0
1.3	Drive unit			Electric
1.4	Operator type			Standing before the type
1.5	rated capacity on front platform	Q <sub>1</sub>	kg	90
	rated capacity on behind platform	Q <sub>2</sub>	kg	110
	rated capacity on standing platform	Q <sub>3</sub>	kg	136
1.9	Wheelbase	y	mm	1095
Weight				
2.1	Service weight (include battery)		kg	800
2.2	Axle loading, laden driving side/loading side		kg	
2.3	Axle loading, unladen driving side/loading side		kg	370/430
Types, Chassis				
3.1	Tyre type Driving wheels/Loading wheels			polyurethane /rubber
3.2	Tyre size, driving wheels (diameter×width)		mm	Φ210×70
3.3	Tyre size, loading wheels (diameter×width)		mm	Φ250×100
3.5	Wheels, number driving, caster/loading (x=drive wheels)		mm	1x +2
3.6	Track width, front, driving side	b <sub>10</sub>	mm	545
3.7	Track width, rear, loading side	b <sub>11</sub>	mm	640
Dimensions				
4.2	Height, mast lowered	h <sub>1</sub>	mm	1365
4.8	Seat height/standing height	h <sub>7</sub>	mm	275
4.14	Stand height, elevated	h <sub>12</sub>	mm	3060
	Lift height	h <sub>32</sub>	mm	500
4.19	Overall length	L <sub>1</sub>	mm	1440
4.21	Overall width	b <sub>2</sub>	mm	750
4.32	Ground clearance, center of wheelbase	m <sub>2</sub>	mm	35
4.33	Fork dimensions	L <sub>2</sub>	mm	540×740
4.34	initial height of front cargo platform	h <sub>2</sub>	mm	870
4.35	Control handle height	h <sub>5</sub>	mm	1040
4.36	Fork dimensions	L <sub>4</sub>	mm	490×630
4.38	The channel width	A <sub>st</sub>	mm	1850
4.39	Turning radius	W <sub>a</sub>	mm	1260
Performance data				
5.1	Travel speed, laden/ unladen		km/ h	6/6.5
5.2	Lifting speed, laden/ unladen		m/ s	0.213/0.225
	Lifting speed, laden/ unladen		m/ s	0.023/0.028
5.3	Lowering speed, laden/ unladen		m/ s	0.230/0.233
	Lowering speed, laden/ unladen		m/ s	0.30/0.29
5.8	Max. gradeability, laden/unladen		%	5/8
5.10	Service brake type			Electromagnetic
Electric-engine				
6.1	Drive motor rating S2 60 min		kW	0.65
6.2	Lift motor rating at S3 15%		kW	2.2
Addition data				
8.1	Type of drive unit			DC
10.5	Steering type			Electronic
10.7	Sound pressure level at the driver's ear		dB (A)	74

- 1.The parameters in the table are of the standard model. For more information, please contact us.
- 2.The parameters are subject to change without notice.



	JX0	JX0(option)
Battery pack capacity	24V 120Ah	12V 120Ah
Chemical Material	NMC	AGM
Pack weight(Kg)	45	30
Charger	24V30A	24V25A
Pack dimension (including BMS)mm	465*259*335	-

Build-in charger only.