



QDD30S/45S

Electric Tractor 3.0/4.5t

Electronic Power Steering Makes Operation Easy & Fast;
Maintenance-free AC Driving Motor Offers Stronger Power, Making it More Cost-effective;
Slowing-down in Curved Pathway Ensures the Smoothness and Stability.

EP EQUIPMENT CO.,LTD
www.ep-ep.com

FEATURE

Performance

- The innovative AC system offers strong power, accurate control, excellent performance.
- High strength vertical gearbox, longer working life.
- AMP connector and durable electric wires greatly reduce malfunctions of components.
- Sturdy load wheel ensures stability.



Safety

- Safety foot switch avoids operators from misoperation.
- Automatic braking and reverse current braking when foot switch is off or travel switch is neutral.
- Emergency disconnecter will cut off power source to avoid accident when truck goes out of control.
- Anti-rolling back brake keeps the truck from skidding down when truck is out of control or travelling on ramp.
- Dual-monitoring power steering.

Operation

- With the new design of ergonomical tiller head, all buttons can be reached conveniently & comfortably.
- With backrest cushion, spacious operation room and vibration absorber pedal, the operator feels more comfortable.
- Side-open battery compartment design for easy replacement and maintenance.
- Electric power steering, smooth & comfortable (EPS).

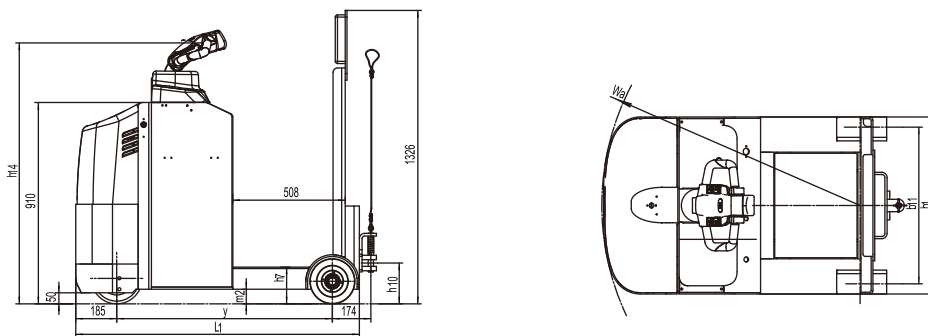
Maintenance

- AC traction motor, maintenance free.
- Hour meter and battery indicator will remind the operator of charging.
- Easily remove the back cover by only losing two bolts; Access to all key components for inspection, maintenance and replacement.
- Vertical motor makes the inspection & service much more convenient.
- Control system allows easy trouble-shooting.
- Low voltage lift cut off design protects the battery.

Electric tractor 3.0/4.5t QDD30S/45S

Distinguishing mark					
1.1	Manufacturer		EP	EP	
1.2	Model designation		QDD30S	QDD45S	
1.3	Drive unit		Electric	Electric	
1.4	Type of operation		Standing	Standing	
1.5	Rated capacity	Q	t	3	4.5
1.7	Rated drawbar pull	F	N	600	900
1.9	Wheelbase	y (mm)	mm	975	975
Weight					
2.1	Service weight (include battery)		kg	760	850
2.2	Axle loading, laden driving side/loading side			/	/
2.3	Axle loading, unladen driving side/loading side		kg	480 / 280	530 / 320
Types,Chassis					
3.1	Tyre type driving wheels/loading wheels			PU/PU	PU/PU
3.2	Tyre size, driving wheels (diameter×width)		mm	Φ230x90	Φ230x90
3.3	Tyre size, loading wheels (diameter×width)		mm	2x Φ204x76	2x Φ204x76
3.5	Wheels, number driving/loading (x=drive wheels)		mm	1x+ 2/2	1x+ 2/2
3.6	Track width, front,driving side	b ₁₀ (mm)	mm	/	/
3.7	Track width,rear,loading side	b ₁₁ (mm)	mm	708	708
Dimensions					
4.8	standing height	h ₇ (mm)	mm	166	166
4.9	Height drawbar in driving position min./max.	h ₁₄ (mm)	mm	1220	1220
4.12	Tow coupling height scope	h ₁₀ (mm)	mm	188 / 233 / 277 / 322	188 / 233 / 277 / 322
4.19	Overall length	l ₁ (mm)	mm	1282	1282
4.21	Overall width	b ₁ / b ₂ (mm)	mm	800	800
4.32	Ground clearance, center of wheelbase	m ₂ (mm)	mm	66	66
4.35	Turning radius	Wa (mm)	mm	1168	1168
Performance data					
5.1	Travel speed, laden/ unladen		km/ h	5 / 7	4.5 / 5
5.5	Drawbar pull, laden/unladen		N	600	900
5.6	Max. drawbar pull, laden/unladen		N	2000	2600
5.7	Gradeability, laden/unladen		%	3/15	3/15
5.10	Service brake type			Electromagnetic	Electromagnetic
Electric-engine					
6.1	Drive motor rating S2 60 min		kW	2.5	2.5
6.3	The maximum allowed size battery		mm	740*350*620	740*350*620
6.4	Battery voltage/nominal capacity K5		V/Ah	24 / 210	24 /280
6.5	Battery weight		kg	260	330
Addition data					
8.1	Type of drive unit			AC	AC
10.5	Steering type			Electronic	Electronic
10.7	Sound pressure level at the driver's ear			74	74
10.8	Towing coupling, type DIN 15170			Bolt type	Bolt type

1.The parameters in the table are of the standard model. For more information, please contact us.
2.The parameters are subject to change without notice.



Option

Options	QDD30S	QDD45S
Driving wheel	●Rubber	●Rubber
Steering light	●	●
High capacity battery	●280Ah/360Ah/480Ah	●360Ah/480Ah