



# QDD30T/30TS

## Electric Tractor 3.0t

Super Towing Capacity, Highly-efficient Performance;  
Sit-down Operation, Comfortable & Safe.

EP EQUIPMENT CO.,LTD  
[www.ep-ep.com](http://www.ep-ep.com)

## FEATURE

### Performance

- AC Traction system, big torque, strong grade ability, powerful traction, can overcome all the uneven working condition.
- AMP connector electric wires and cables, greatly reducing electric parts failure rate.
- Flexibly connected rear axle, greatly reduces vibration.
- 415mm solid pneumatic tyre, great performance in door and out door.



### Safety

- Seat switch avoids wrong operation.
- Automatic braking and reverse current braking when foot switch is off or travel switch is neutral.
- Emergency disconnecter will cut off power source to avoid accident when truck goes out of control.
- Anti-rolling back brake keeps the truck from skidding down when truck is out of control or travelling on ramp.
- Hydraulic brake, reverse current brake and mechanical brake.
- Dual-monitoring power steering(EPS).
- Automatically slow down speed when in turn(EPS).

### Operation

- Clear layout and spacious driving room.
- Seat with suspension, more comfortable.
- Steering wheel could be adjustable with big angles to meet operator's needs.
- Big pedal & long support arm makes it comfortable & safe.
- The layout of steering wheel, brake, foot pedal, and other instruments are the same as the electric forklift, which makes it convenient to operate.
- Button at the rear of tractor allows coast travel.
- Electric power steering, smooth & comfortable (EPS).

### Maintenance

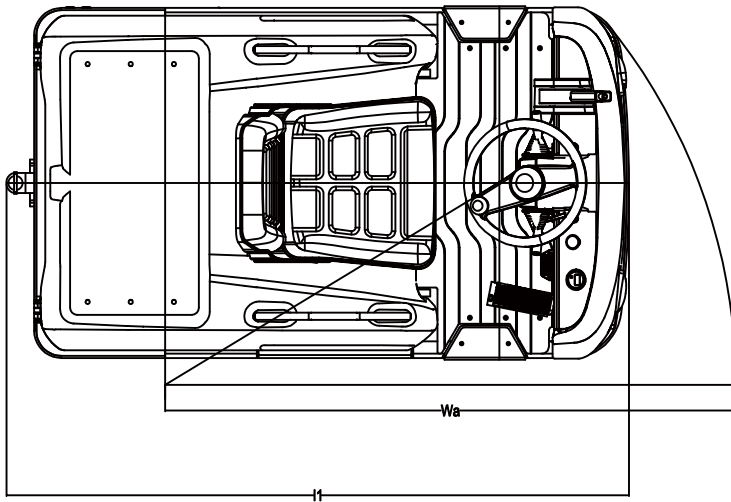
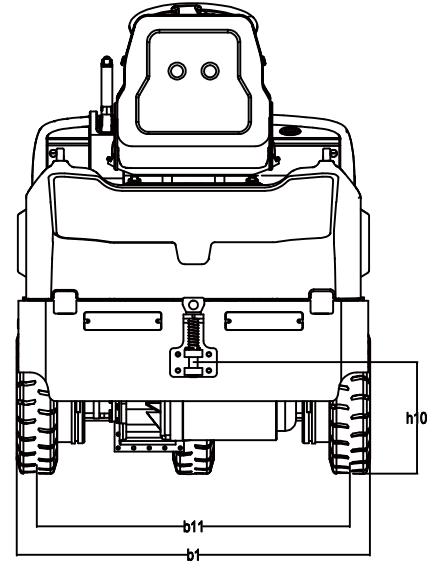
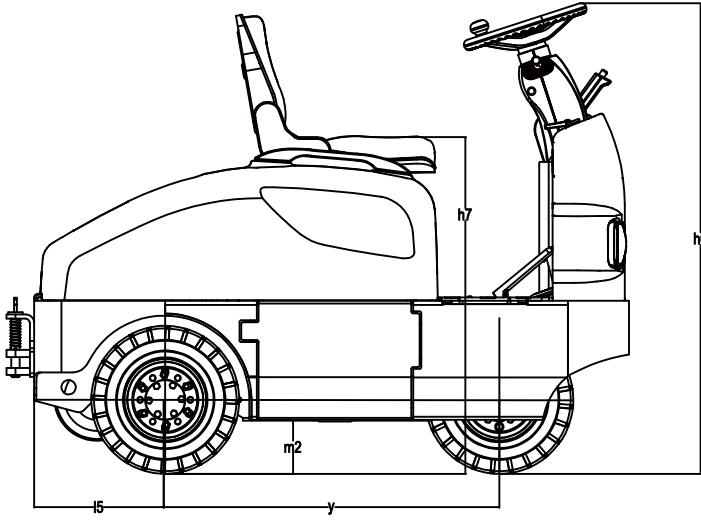
- AC traction motor, maintenance free.
- Hour meter and battery indicator will remind the operator of battery charging.
- Easily remove the back cover by only losing four bolts; Easy access for maintenance.
- Control system allows easy trouble-shooting.
- Low voltage lift cut off design protects the battery.

# Electric Tractor 3.0t

## QDD30T/30TS

Distinguishing mark			
1.1	Manufacturer		EP
1.2	Model designation		QDD30T/QDD30TS
1.3	Drive unit		Electric
1.4	Operator type		Seated
1.5	Load capacity	Q	t
			3
1.7	Rated drawbar pull	F	N
			750
1.9	Wheelbase	y	mm
			930
Weight			
2.1	Service weight		kg
			970
2.3	Axle loading, unladen front/ rear		kg
			510/460
Types,Chassis			
3.1	Tyre type		solid rubber
3.2	Tyre size, front		mm
			4.00-8
3.3	Tyre size, rear		mm
			4.00-8
3.5	Wheels, number front/ rear (x=drive wheels)		mm
			1/2x
3.7	Tread, rear	b <sub>11</sub>	mm
			870
Dimensions			
4.7	Height of overhead guard (cabin)	h <sub>6</sub>	mm
			1300
4.8	Seat height	h <sub>7</sub>	mm
			910
4.12	Tow coupling height	h <sub>10</sub>	mm
			305/350/395
4.13	Loading platform, height	h <sub>11</sub>	mm
			/
4.16	Loading platform, length	l <sub>3</sub>	mm
			/
4.17	Rear overhang	l <sub>5</sub>	mm
			365
4.18	Loading platform, width	b <sub>9</sub>	mm
			/
4.19	Overall length	l <sub>1</sub>	mm
			1730
4.21	Overall width	b <sub>1</sub>	mm
			985
4.32	Ground clearance, center of wheelbase	m <sub>2</sub>	mm
			150
4.35	Outer turning radius	Wa	mm
			1575
Performance data			
5.1	Travel speed, laden/ unladen		km/ h
			7/15
5.5	Rated drawbar pull, laden/ unladen S <sub>2</sub> 5 min.		N
			750
5.6	Maximum drawbar pull, laden/ unladen S <sub>2</sub> 5 min.		N
			3000
5.8	Maximum gradeability, laden/ unladen S <sub>2</sub> 5 min.		%
			5/20
5.10.1	Service brake		Mechanical+Hydraulic
5.10.2	parking brake		Mechanical+Hydraulic
Electric-engine			
6.1	Drive motor rating S <sub>2</sub> 60 min.		kW
			4
6.3	Battery dimensions l/ w/ h		mm
			/
6.4	Battery voltage/ rated capacity (5h)		
			48/240
6.5	Battery weight		kg
			433
Addition data			
8.4	Sound level at operator's ear		dB (A)
			70
8.5	Tow coupling		dB (A)
			Bolt Type

- 1.The parameters in the table are of the standard model. For more information please contact us.  
2.The parameters are subject to change without notice.



## Option

Options	QDD30T/QDD30TS
Full cabin	<input type="radio"/>
Lateral battery change	<input type="radio"/>
Warning light	<input type="radio"/>
<input type="radio"/> Options	